



10W



Raw: 800LM
Effective: 769LM



IP68



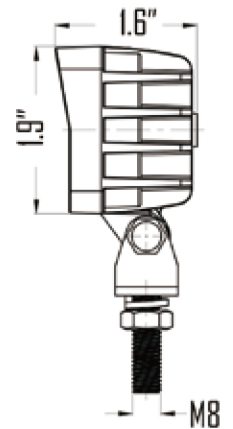
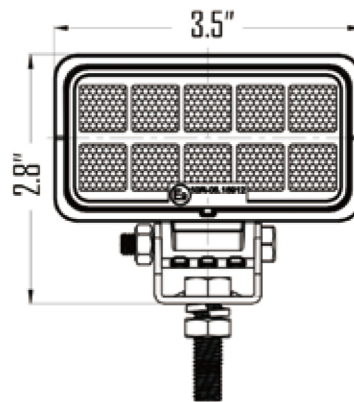
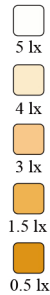
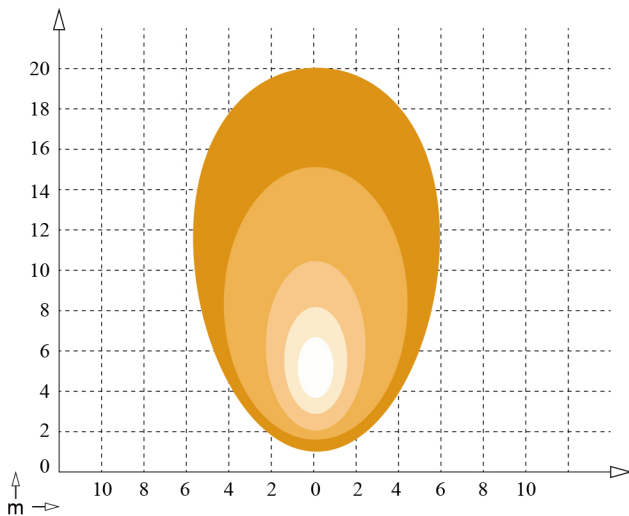
MULTI-VOLT
9-32V



EMC 3 R10



LED-FLOOD

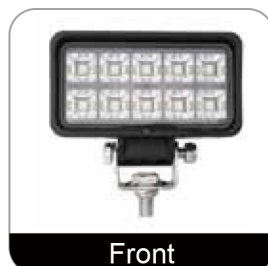


WB-42417

10

SPECIFICATIONS:

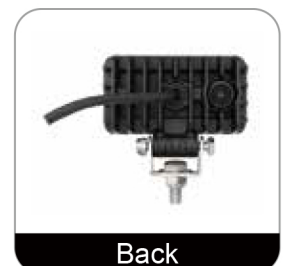
Power	10W
Voltage range	9-32V DC
Luminous flux	Raw: 800LM Effective:769LM
Waterproof rate	IP68
Material	PC lens
Operating temperature	-45 C -+85 C
Beam	Flood beam
Material of housing	Aluminum alloy
EMC 3 R10	



Front



Side



Back