



LOW PROFILE, LED BEACON, AMBER/GREEN W/CLEAR LENS, 3 BOLT MOUNT, CLASS 1



96LED



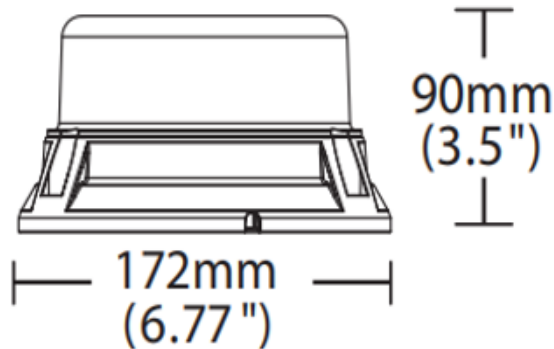
IP67



MULTI-VOLT
12-48V DC



ECE R65/R10 Approval, meets CISPR25 Class 3



Part #: WB-92502-CAG

SPECIFICATION:

Power	96LED
Voltage range	12-48V DC
Flash pattern	8
Certificate	CE, UKCA, ECE R10, ECE R65, SAE J845 Class 1
Color	Amber/Green dual color
Waterproof rate	IP67
Operating temperature	-30°C~+60°C
Mounting	3 Bolt
Material for lens	PC
Material for base	Aluminum