



TRACKER SERIES 12 LED WORK LAMP, 3" SQUARE (w/internal temperature control system)

Part #: WB-92505



Power: 24W



1824-2400LM



IP68



**MULTI-VOLT
9-32VDC**

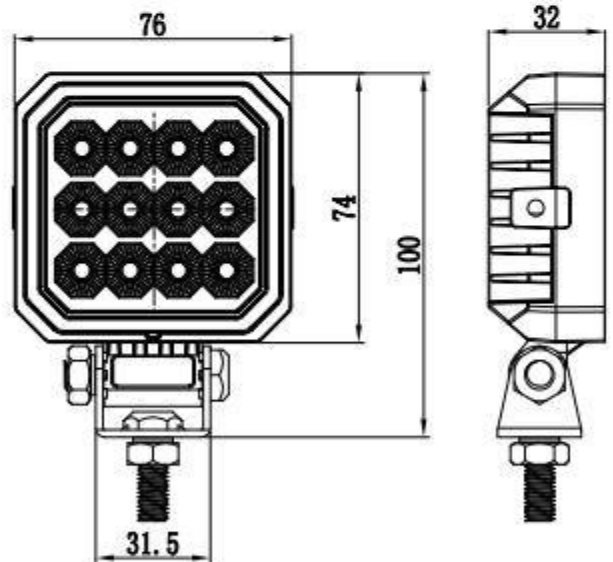
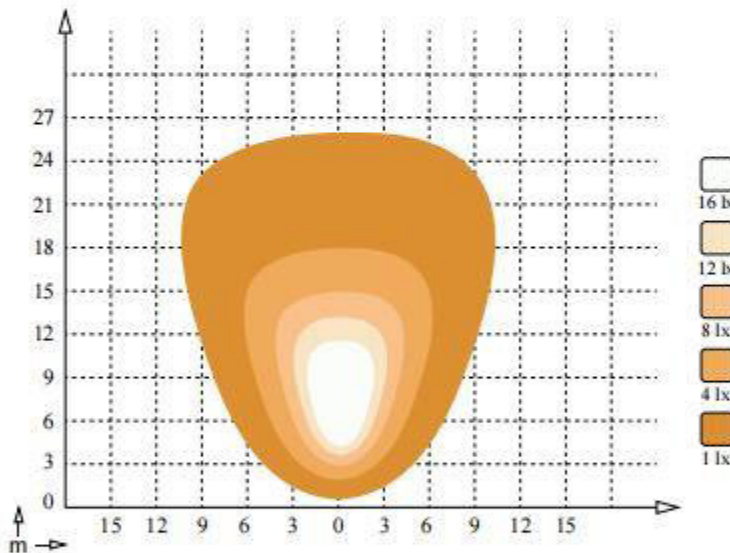


EMC R10 TESTED



**With internal
Temperature
Control System**

LED-FLOOD



Part #: WB-92505

SPECIFICATIONS:

Power	Power: 24W
Voltage range	9-32VDC
Luminous flux	1824-2400LM
Light type	12pcs 3W LED chips
Waterproof rate	IP68
Material	PC lens
Operating temperature	-45 C +85 C
Beam	Flood beam
Material of housing	aluminum alloy
EMC R10 approval	
With internal Temperature Control System	

