



TRACKER SERIES 12 LED WORK LAMP, 3" ROUND (w/internal temperature control system)

Part #: WB-92507



Power:24W



1824-2400LM



IP68



**MULTI-VOLT
9-32VDC**

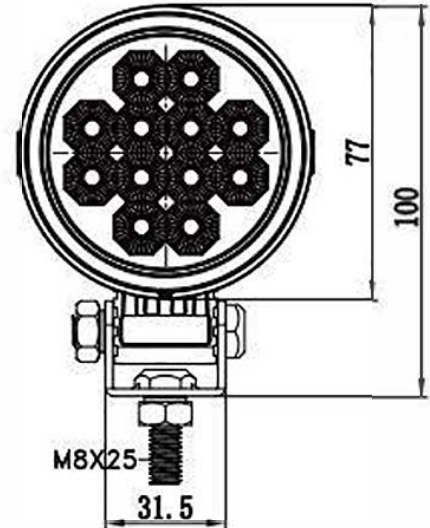
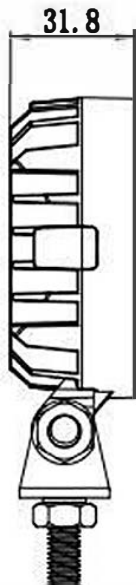
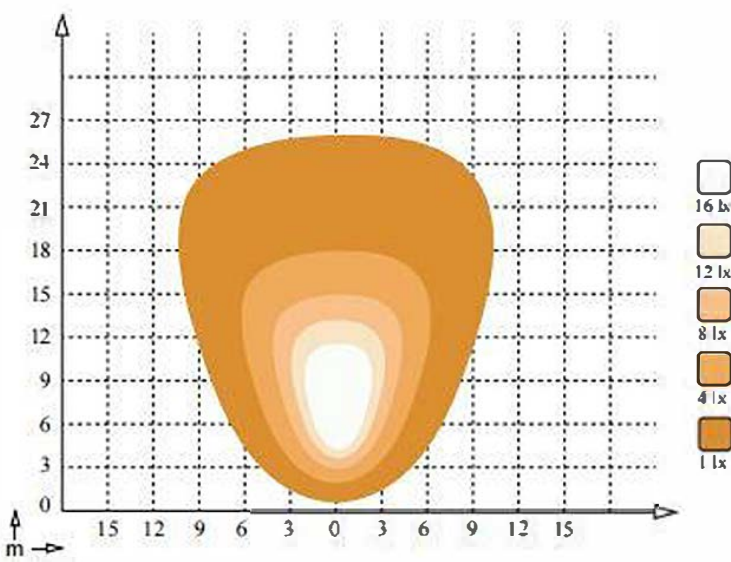


EMC R10 TESTED



 **With internal Temperature Control System**

LED-FLOOD



Part #: WB-92507

SPECIFICATIONS:

Power	Power:24W
Voltage range	9-32VDC
Luminous flux	1824-2400LM 12pcs
Light type	12 2W LED chips
Waterproof rate	IP68
Material	PC lens
Operating temperature	-45°C~+85°C
Beam	Flood beam
Material of housing	aluminum alloy
EMC R10 approval	
With internal Temperature Control System	

