



TRACKER SERIES 16 LED WORK LAMP, 3.5" ROUND (w/internal temperature control system)

Part#: WB-92508



Power: 32W



2432-3200LM



IP68



**MULTI-VOLT
9-32VDC**

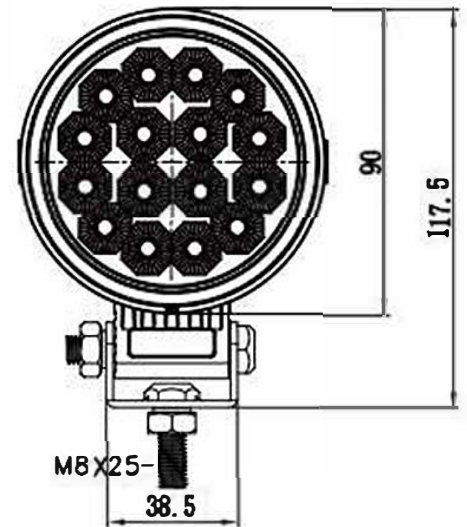
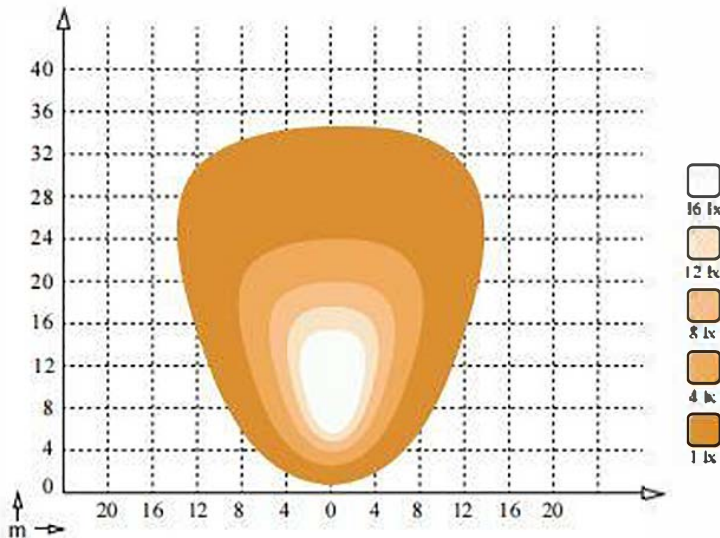


EMC R10 TESTED



**With internal
Temperature
Control System**

LED-FLOOD



Part #: WB-92508

SPECIFICATIONS:

Power	Power: 32W
Voltage range	9-32VDC
Luminous flux	2432-3200LM
Light type	16pcs 2 LED chips
Waterproof rate	IP68
Material	PC lens
Operating temperature	-45°C~+85°C
Beam	Flood beam
Material of housing	aluminum alloy
EMC R10 approval	
With internal Temperature Control System	

